

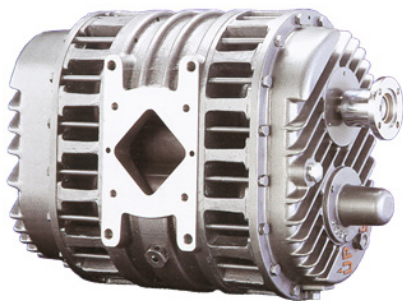
NEW FROM PSC....

REMANUFACTURED TRANSPORT BLOWERS BY

TANK Guard[®]

- Full selection
- 18 month warranty
- Remanufactured to OEM specifications
- Genuine OEM components
- All products fully tested
- Installation available at over 30 locations
- Largest distribution footprint in the US

Drum



D807X / D907X

MD-Pneumatics (Tuthill)



T850X / T1050X

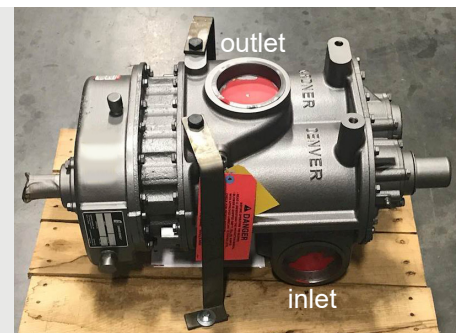
MD-Pneumatics (Tuthill)



T855X / T1055X

Gardner Denver Cyclo Blowers

- T5CDL9LX 3" IN & 3" OUT
- T5CDL12LX 4" IN & 3" OUT
- T5CDL12L92X 4" IN & 4" OUT



Visit us at www.polarservicecenters.com

Like us on Facebook and follow us on Instagram @polarservicecenters #polarservicecenters



BLOWER CORE ACCEPTANCE CRITERIA

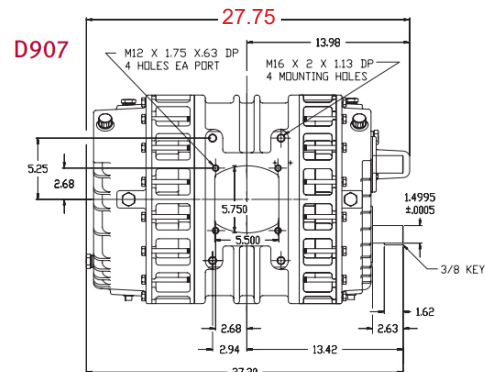
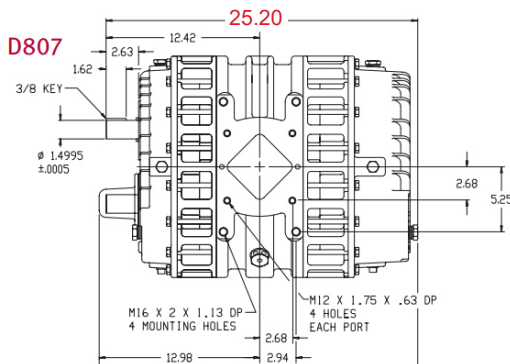
You will receive...

FULL CREDIT:

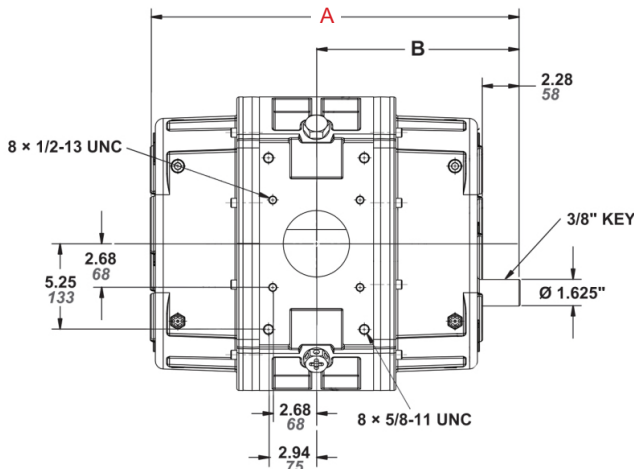
- ✓ Acceptable part number. (Like for like core only)
- ✓ Fully assembled and complete.
- ✓ Not previously disassembled
- ✓ Shaft must be intact
- ✓ Housing free of cracks or breaks

BLOWER DIMENSIONS

Drum



MD-Pneumatics (Tuthill)



MODEL	A	B	C
T850/T855	22.69	12.48	11.72
T1050/T1055	25.19	13.73	12.13